

# STIGA

## SBC 232 D (2019)

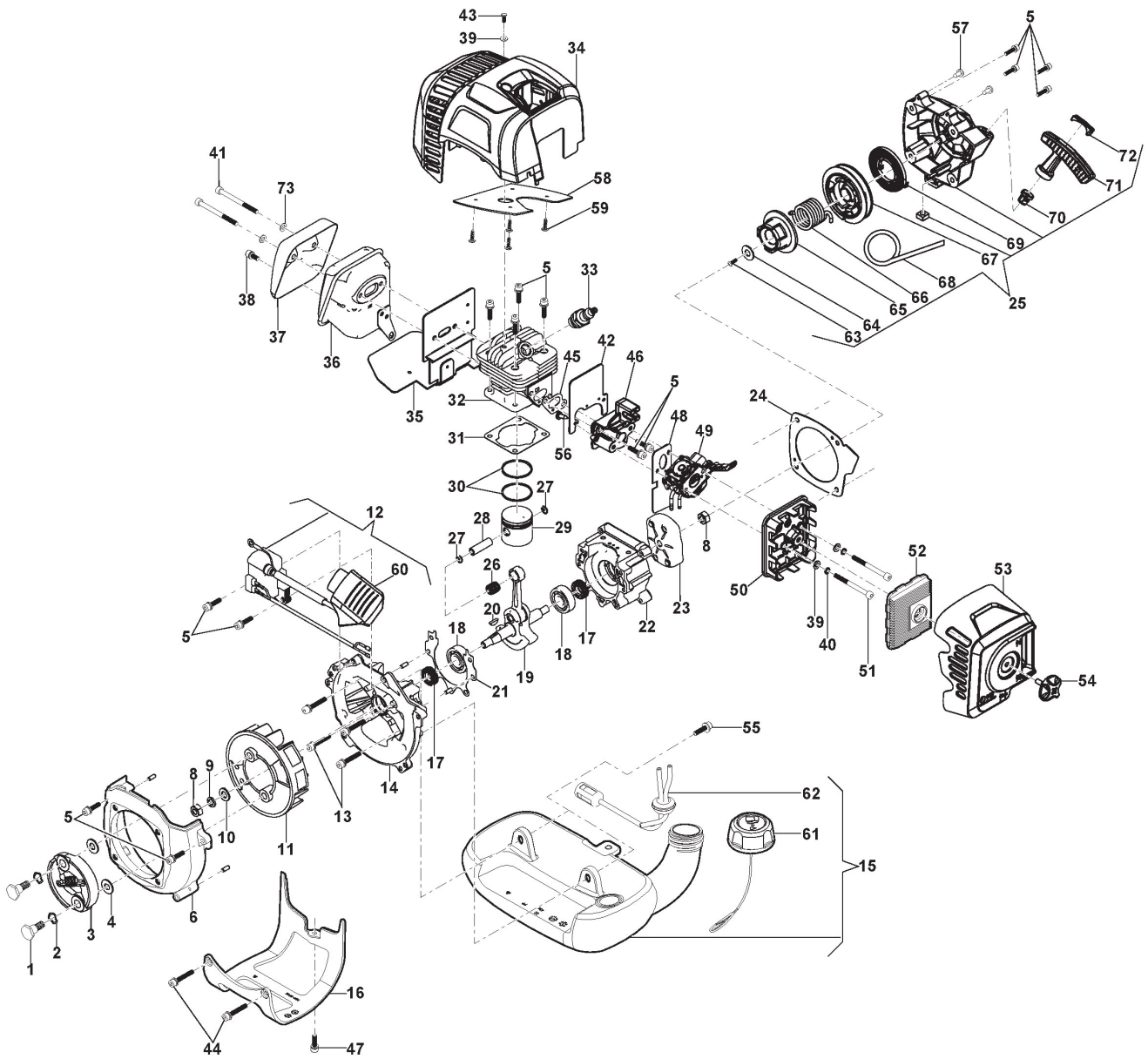
287221002/17



### Spare parts list Reservdelar Repuestos Ersatzteile Pièces détachées Reserve onderdelen Catalogo ricambi

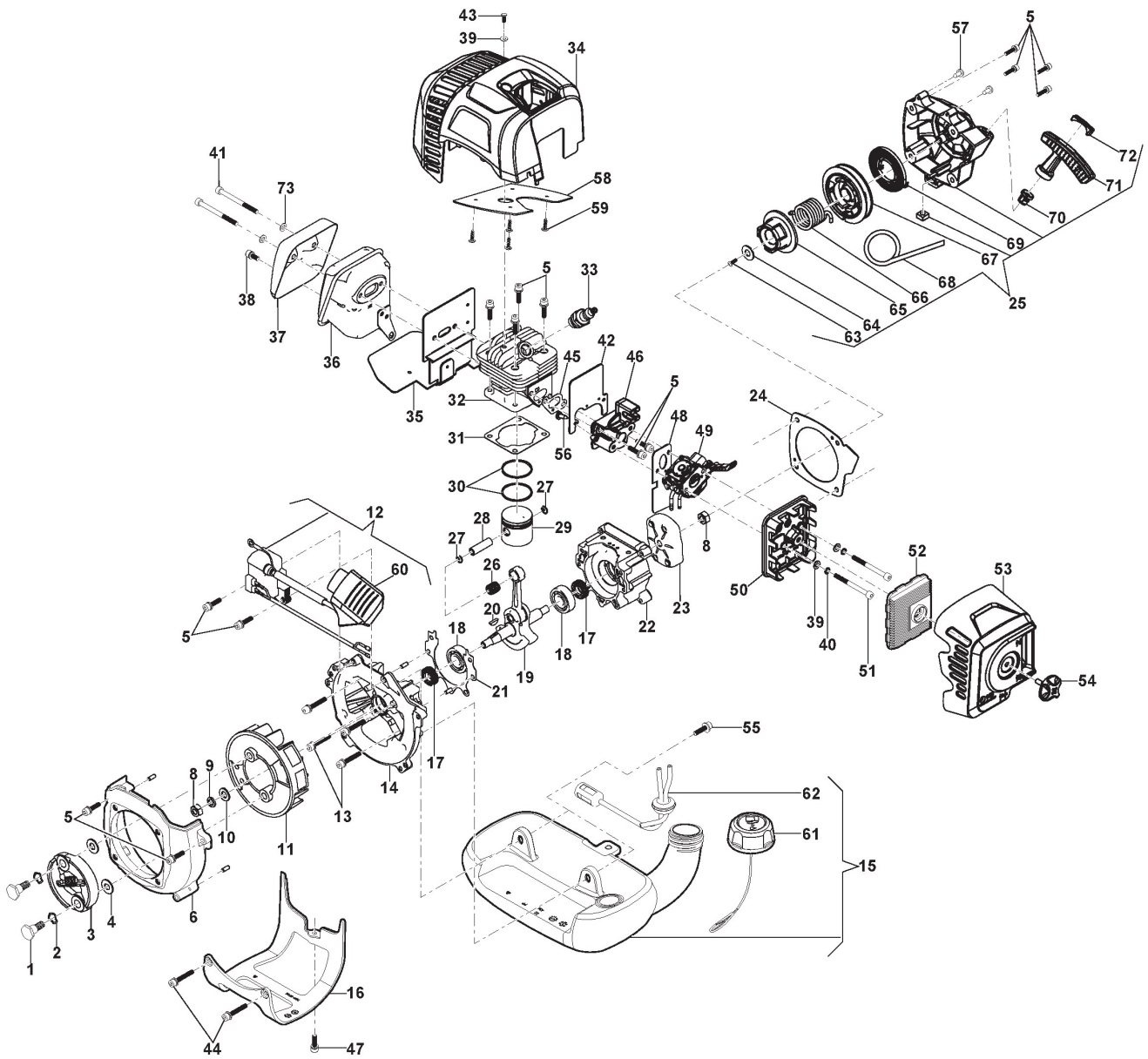
- Use ST. S.p.A. Genuine Spare Parts specified in the parts list for repair and/or replacement.
- The contents described in the parts list may change due to improvement.
- The drawings of the spare parts are only indicative And might Not represent the part in question exactly.
- The indications "right" - "left" - "front" - "rear" refer to the position of the operator when using the machine.
- When placing orders of parts for repair And/Or replacement, make sure that the illustrated parts list Is the one applying to the machine's year of manufacture, as shown on the identification plate attached to the machine.

All rights reserved. No part Of this material may be reproduced Or transmitted, in any form Or by any means, electronic Or mechanical, including photocopying, recording Or by any information storage And retrieval system, without permission in writing from ST. S.p.A.



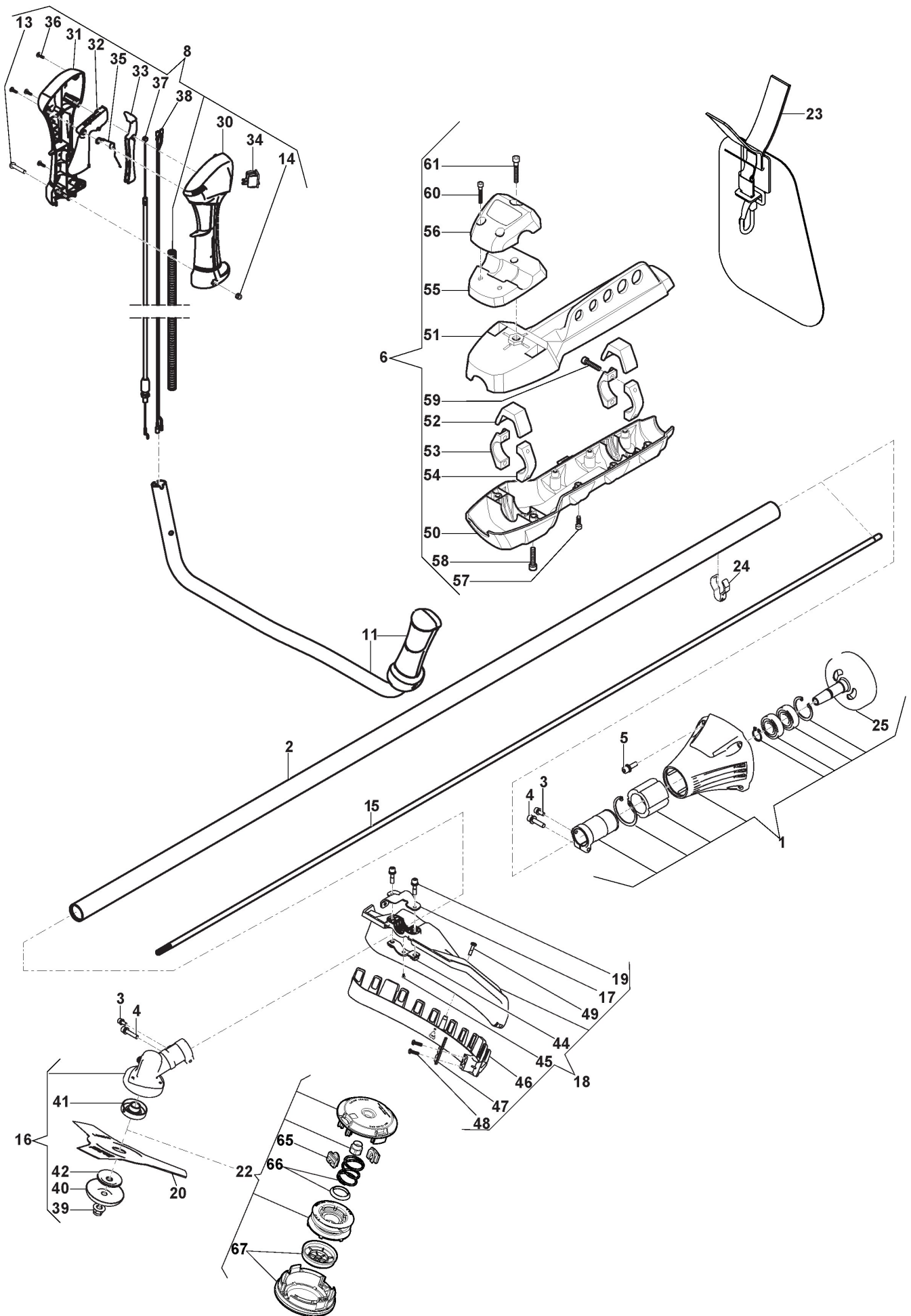
# Engine

Zn. c.	Množ.	Kód výrobku	Popis	Poznámky	From	Až do
1	2	118804038/0	Screw			
2	2	118804045/0	Washer			
3	1	118804000/0	Clutch			
4	2	118804046/0	Washer			
5	14	112789008/0	Screw			
6	1	118804032/0	Flywheel Cover			
8	2	112155015/0	Nut			
9	1	112369500/0	Elastic Washer			
10	1	112521350/0	Washer			
11	1	118804012/0	Flywheel			
12	1	118804011/0	Ignition Assy			
13	4	2135130	Screw			
14	1	118804024/0	Crank Case			
15	1	118804003/0	Fuel Tank Assy			
16	1	118803961/0	Support			
17	2	118801188/0	Seal Ring			
18	2	3112030	Ball Bearing			
19	1	118803988/0	Crankshaft			
20	1	123072002/0	Flywheel Key			
21	1	118804076/0	Crankcase Gasket			
22	1	118804026/0	Crank Case			
23	1	118803996/0	Starter Cup			
24	1	118804051/0	Gasket			
25	1	118803994/0	Starter Assy			
26	1	118803997/0	Needle Bearing			
27	2	118804059/0	Circlip			
28	1	118804041/0	Piston Pin			
29	1	118804031/0	Piston			
30	2	118804021/0	Piston Ring			
31	1	118804077/0	Cylinder Gasket			
32	1	118804030/0	Cylinder			
33	1	3210024	Spark Plug			
34	1	118803969/0	Yellow Cylinder Cover			
35	1	118804084/0	Muffler Gasket			
36	1	118803991/0	Muffler			
37	1	118804047/0	Muffler Guard			
38	1	2135180	Screw			
39	3	112521320/0	Washer			
40	2	112581500/0	Grower			
41	2	118801180/0	Screw			
42	1	118804053/0	Intake Manifold Gasket			
43	1	112727796/0	Screw			
44	2	2135120	Screw			
45	1	118804078/0	Gasket			
46	1	118804067/0	Intake Manifold			
47	1	6981102	Outfit, Screws			
48	1	118804082/0	Carburetor Gasket			
49	1	118804007/0	Carburetor			



# Engine

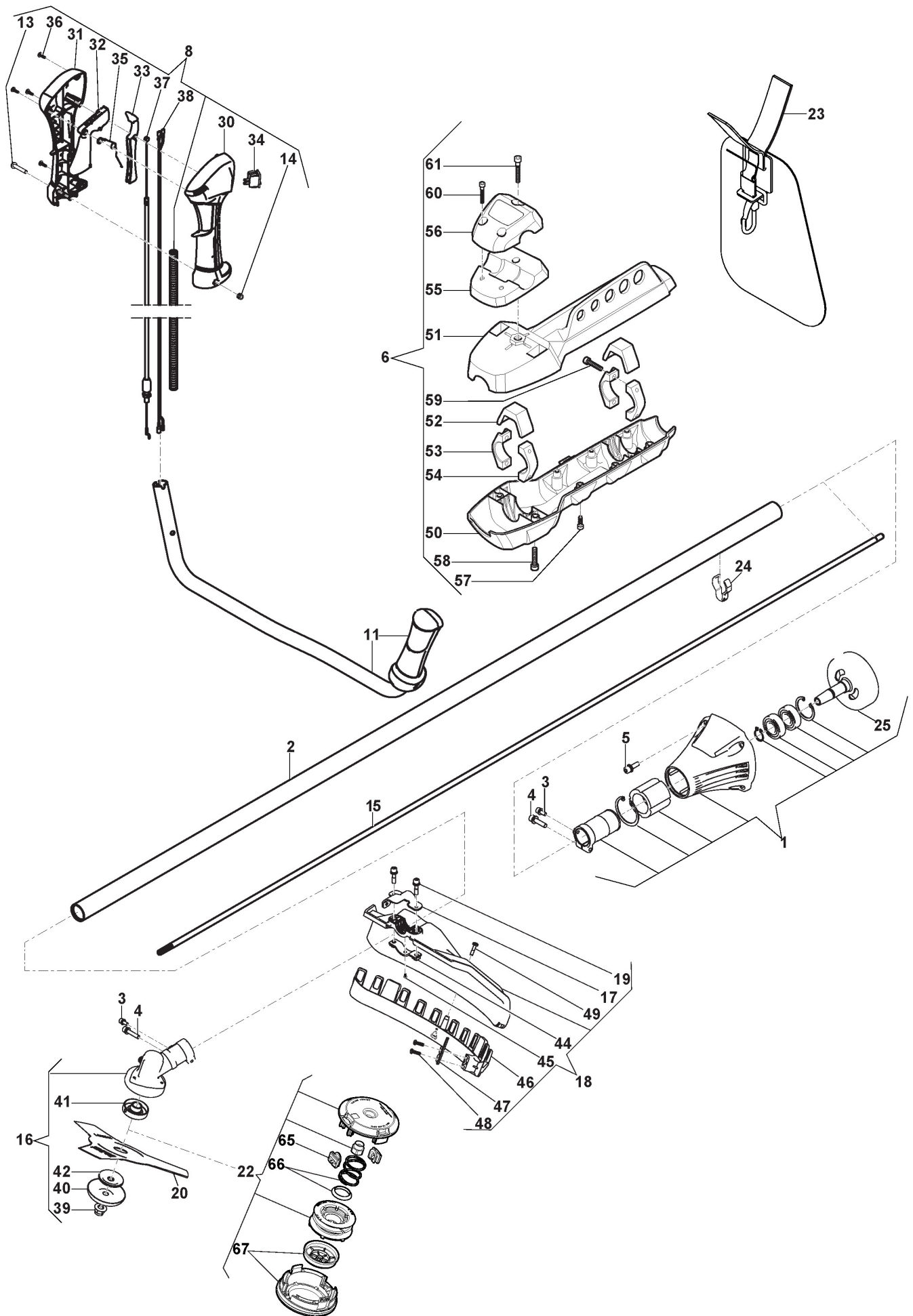
Zn. c.	Množ.	Kód výrobku	Popis	Poznámky	From	Až do
50	1	118804063/0	Air Cleaner Base			
51	2	2135250	Screw			
52	1	118804547/0	Paper Filter			
53	1	118803968/0	Filter Cover Yellow			
54	1	118803174/0	Knob, Grey			
55	2	112760475/0	Screw			
56	2	6981268	Screw			
57	2	112727356/0	Screw			
58	1	118804086/0	Air Guide			
59	4	112727810/0	Screw			
60	1	118803163/0	Spark Plug Cap			
61	1	322735152/0	Oil Cap			
62	1	118804006/0	Fuel Hose			
63	1	112727796/0	Screw			
64	1	112523020/0	Washer			
65	1	118803975/0	Starter Cam			
66	1	118804061/0	Starter Spring			
67	1	118803976/0	Starter Pulley			
68	1	118803181/0	Starter Cord			
69	1	118804060/0	Spring			
70	1	118804068/0	Rope Guide			
71	1	118803984/0	Starter Handle			
72	1	118804069/0	Yellow Starter Plate			
73	2	112521331/0	Washer			



# Transmission

Zn. c.	Množ.	Kód výrobku	Popis	Poznámky	From	Až do
1	1	118804001/0	Support Transmission Assy			
2	1	118803960/0	Transmission Pipe			
3	2	6981145	Screw			
4	2	112727799/0	Screw			
5	4	112727801/0	Screw			
6	1	118804962/0	Transmission Housing Kit			
8	1	118804955/0	Handle Assy, Yellow			
11	1	118803210/0	Left Handgrip			
13	1	2135120	Screw			
14	1	112154330/0	Nut			
15	1	118804042/0	Drive shaft			
16	1	118801184/0	Gear Case Assy			
17	1	118804054/0	Plate			
18	1	118803954/0	Safety cover Assy			
19	2	2132180	Screw			
20	1	118801125/0	3 Teeth Disc			
22	1	1911-9226-01	Line Cutter Head			
23	1	118804015/1	Harness			
24	1	118804066/0	Wire Clamp			
25	1	118804037/0	Clutch Drum			
30	1	118803971/0	Yellow Left Handgrip			
31	1	118803965/0	Yellow Right Handgrip			
32	1	118803221/0	Trigger			
33	1	118803219/0	Safety Lever			
34	1	118803213/0	Switch			
35	1	118803220/0	Spring			
36	4	112727810/0	Screw			
37	1	118803986/0	Throttle Cable			
38	1	118803217/0	Stop Wire			
39	1	2452090	Nut			
40	1	118803206/0	Case Dust Cover			
41	1	118803204/0	Upper Ring Nut			
42	1	118803205/0	Lower Ring Nut			
44	1	118804058/0	Guard			
45	1	112727815/0	Screw			
46	1	118803202/0	Support			
47	1	118804056/0	Line Cutter Blade			
48	2	6981149	Screw			
49	1	112728531/0	Screw			
50	1	118801357/0	Transmission Housing			
51	1	118801353/1	Transmission Housing			
52	4	118801358/0	Shock Absorber			
53	2	118804544/0	Left Bracket			
54	2	118804545/0	Right Bracket			
55	1	118801356/1	Lower Handgrip Support			
56	1	118801355/0	Upper Handgrip Support			
57	4	2135030	Screw			
58	4	118810711/0	Screw			







# Transmission

Zn. c.	Množ.	Kód výrobku	Popis	Poznámky	From	Až do
59	4	112727796/0	Screw			
60	2	2135030	Screw			
61	1	112760520/0	Screw			
65	1	118804890/0	Line Retainer			
66	1	118804889/0	Spring			
67	1	118804888/0	Cover + Knob			